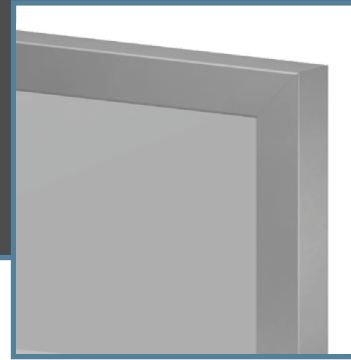


RAWSON

Profile Specification



Refined to its essence, the Rawson profile features slim proportions and clean architectural lines, delivering a light, understated aesthetic where glass takes centre stage. Ideal for modern kitchens and wardrobes, it creates a seamless, minimal look while maintaining the precision and durability of aluminium framing.

Slim. Subtle. Effortless.

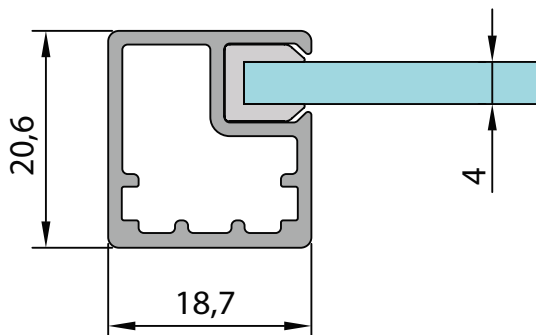
PRODUCT FEATURES

- Slimline luxury aluminium frame
- Choice of exclusive artisan, clear, mirrored and tinted glass inserts
- Suitable for kitchens, wardrobes, interior cabinetry
- Designed exclusively for the trade
- Manufactured in the UK, in exclusive collaboration with Roberto Marella



PRODUCT SPECIFICATIONS

Overall Dimensions (L*W*H):	Made to measure
Maximum Height:	3m
Profile Width:	18.7mm
Profile Thickness:	20.6mm
Profile Material:	Extruded Aluminium
Profile Finish:	Powdercoated
Corners:	Mitred
Tolerance:	- + / 1mm
Glass:	4mm Thickness



HANDLES

Self coloured handle.
Position must be specified at point of order.



HINGES

Profile is complete with hinges which must be specified at point of order.

COLOUR OPTIONS

- 1 Matt Black
- 2 Dark Bronze
- 3 Titanium

